



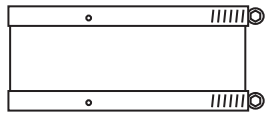
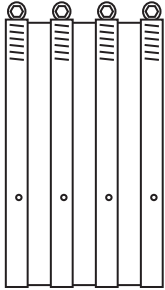
Mission Rubber Company LLC

1660 Leeson Lane
 Corona, CA 92879
 (800) 854-9991
 missionrubber.com



*For Installations
 Requiring a Shielded
 Transition Coupling that
 Joins Similar and
 Dissimilar Pipe Sizes
 and Pipe Materials*

MEETS:
 ASTM C 1460
 ASTM C 564
 ASTM A240/A240M
 CSA B602
 UPC 11464



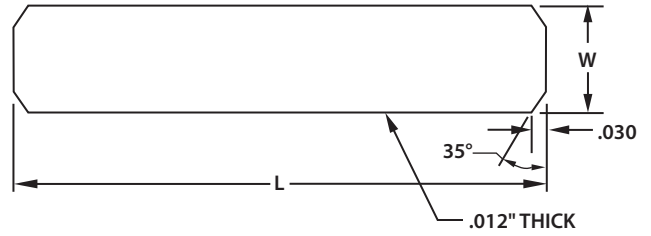
SIZES 2" THROUGH 4" - 2 BANDS

**Band-Seal® Coupling - Submittal
 PC & PK Series**

*Performance Couplings for Similar and Dissimilar Pipe Sizes
 and Materials*

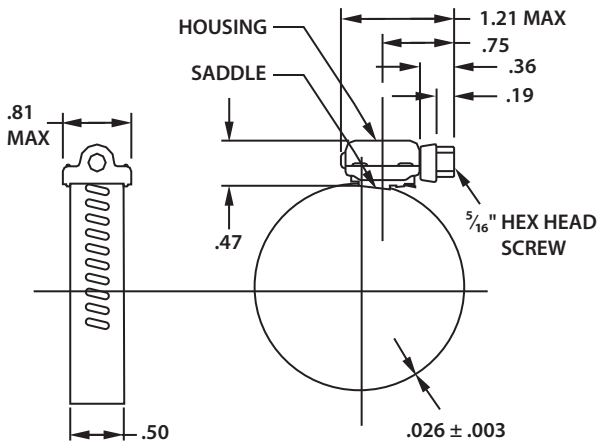
PROJECT _____
 ENGINEER _____
 CONTRACTOR _____

| MATERIALS | |
|---------------|--|
| Band | Series 301 ASTM stainless steel |
| Screw Housing | Series 301 ASTM stainless steel |
| Screw Saddle | Series 301 ASTM stainless steel |
| Screw | Series 305 ASTM stainless steel |
| Shield | Series 301 ASTM stainless steel |
| Gasket | This gasket is fabricated from a compound with high-quality elastomeric properties to meet physical testing. |

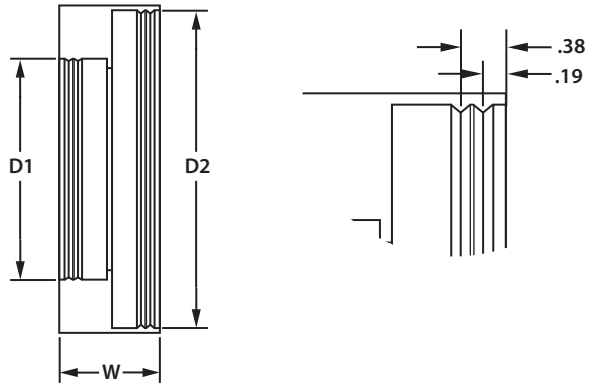


SHIELD DETAILS

CLAMP DETAILS



SEALING GASKET CROSS SECTION DETAILS



| MISSION REFERENCE PC & PK SERIES | SHIELD DIMENSIONS | | SEALING GASKET DIMENSIONS | | |
|-------------------------------------|-------------------|------|---------------------------|------|------|
| | L | W | D1 | D2 | W |
| PC 32 | 12.69 | 2.12 | 2.38 | 3.50 | 2.12 |
| PC 43 | 16.00 | 2.12 | 3.35 | 4.50 | 2.12 |
| PK 32 | 12.69 | 2.12 | 2.13 | 3.50 | 2.12 |
| PK 33 | 12.69 | 2.12 | 3.13 | 3.50 | 2.12 |
| PK 43 | 16.00 | 2.12 | 3.13 | 4.50 | 2.12 |
| PK 44 | 16.00 | 2.12 | 4.13 | 4.50 | 2.12 |

| TEST | GASKET PHYSICAL TESTS (ASTM C 564) | ASTM C 564 |
|---------------------|--|------------|
| Tensile Strength | 1500 PSI minimum | D412 |
| Elongation | 250% minimum | D412 |
| Durometer (Shore A) | 70 ± 5 @ 76°F ± 5°F | D2240 |
| Accelerated Aging | 15% maximum tensile and 20% maximum elongation deterioration. 10 points maximum increase in hardness. All determinations after oven aging for 96 hours at 158°F. | D573 |
| Compression Set | 15% maximum after 22 hours at 158°F | D395 |
| Oil Immersion | 80% maximum volume change after immersion in ASTM oil #3 for 70 hours at 212°F | D471 |
| Ozone Cracking | No visible cracking at 2X magnification of the gasket after 100 hours exposure in 1.5 PPHM ozone concentration at 100°F. Testing and inspection to be on gasket which is loop-mounted to give approximately 20% elongation of outer surface. | |
| Tear Resistance | Die C 150 lbs. minimum per inch of thickness | D624 |
| Water Absorption | 20% maximum by weight after 7 days at 158°F | D471 |

Used to Join - PC Series couplings are used to join plastic, steel or extra-heavy cast iron to cast iron, plastic or steel for PC 32; and plastic, steel or extra-heavy cast iron to cast iron for PC 43. PK Series couplings are used to join plastic, steel or extra-heavy cast iron to copper for PK 32 through PK 44.

Mission's Band-Seal® Specialty Coupling is a shielded transition coupling designed to connect similar and dissimilar pipe sizes and materials. Coupling consists of two (2) or four (4) 301 series stainless steel worm drive clamps, a 300 series stainless steel shield over a molded one-piece elastomeric sealing gasket. PC & PK Series couplings are available in sizes 2" to 4", which utilize two (2) clamps.

Leak-Proof Seal - Stainless steel clamps provide a positive seal when properly tightened to 60 in/lbs. of torque. Sealing "O" Rings are installed under each sealing clamp to prevent pipe slippage and create a more positive seal, ensuring a water-tight, leak-proof and root-proof seal.

Corrosion Resistant - 300 series stainless steel components provide highly effective corrosion resistance in a variety of environments.

Joint Movement Restraint - The Band-Seal® Specialty Coupling provides for superior load bearing control between the coupling and pipe surface. The coupling's rugged construction provides excellent sealing properties, and the stainless steel shield offers excellent resistance to shear forces and helps with alignment, while maintaining flexibility.

Internal Pipe Stop - For proper pipe positioning and noise/vibration reduction.

Pre-Set Calibration - All Band-Seal® Specialty Couplings are designed to be installed with a pre-set torque wrench calibrated to 60 in/lbs. maximum to accommodate the 305 series stainless steel 5/16" hex head screw.