



Mission Rubber Company LLC

1660 Leeson Lane
Corona, CA 92879
(800) 854-9991
missionrubber.com

MISSION
RUBBER COMPANY LLC

*Tap clay or concrete
pipe line for
lateral service connection
to plastic pipe*

MEETS:
ASTM C425
ASTM C1173
ASTM C923M

TwisTee® Push-Fit Tapping Saddle - Submittal

Performance Saddle Designed to Tap Clay & Concrete Pipe Lines

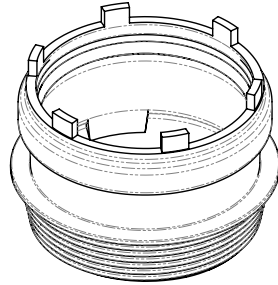
PROJECT _____

ENGINEER _____

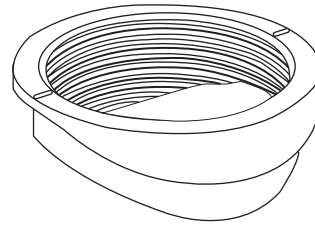
CONTRACTOR _____

Stub-Out Gasket High flow, high impact, injection grade ABS PA-746 resin.
This gasket is fabricated from high-quality EPDM rubber

MATERIALS

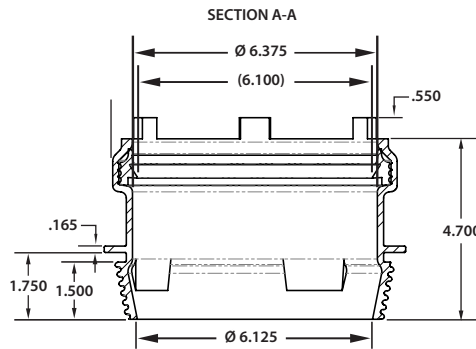
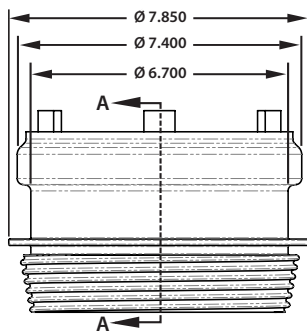


6" ABS STUB-OUT

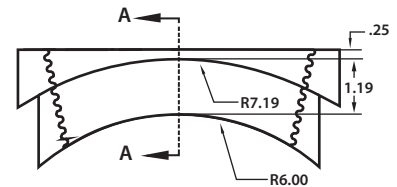


EPDM Rubber Gasket
SIZE: 12" - 15"

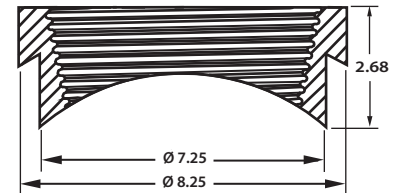
STUB-OUT DETAILS



SEALING GASKET DETAILS



SECTION A-A



TEST	STUB-OUT MECHANICAL PROPERTIES	TEST METHOD
Tensile Strength ² (0.118 in)	5900 psi	ASTM D638
Tensile Stress (Yield)	6240 psi	ISO 527-2/50
Tensile Stress (Break)	4640 psi	ISO 527-2/50
Tensile Elongation ² (Break, 0.118 in)	30%	ASTM D638
Tensile Strain (Break)	15%	ISO 527-2/50
Flexural Modulus ³ (0.236 in)	313000 psi	ASTM D790
Flexural Modulus ⁴	261000 psi	ISO 178
Flexural Strength ³ (0.236 in)	9250 psi	ASTM D790
Flexural Stress ⁴	8700 psi	ISO 178

¹Typical properties: These are not to be construed as specifications.
²0.24 in/min
³0.11 in/min
⁴0.079 in/min

TEST	GASKET PHYSICAL TESTS			
Property	Unit	Test Method	Clause	Requirements
Durometer	IRHD	ISO 48	4.2.3	60 ± 5
Tensile strength, min.	MPa	ISO 37	4.2.4	1305 psi
Elongation at break, min.	%	ISO 37	4.2.4	300
Compression set, max. 24 h @ 70° C	%	ISO 815	4.2.5.2	20
Aging, 7 days @ 70° C Hardness change, max.	IRHD	ISO 48	4.2.6	+8/-5
Stress relaxation, max. 7 days @ 23° C	%	ISO 3384	4.2.7	15
Volume change in water 7 days @ 70° C, max.	%	ISO 1817	4.2.8	+8/-1
Ozone resistance	-	ISO 1431-1	4.2.9	No cracking when viewed without magnification

Mission's TwisTee® Push-Fit Tapping Saddles are designed to tap clay, concrete or thick wall (min. 1¼") pipe lines. Connects to a 6" plastic lateral pipe. Tapping saddle consists of a threaded ABS stub-out and EPDM rubber gasket. The EPDM rubber gasket is offered in sizes 12" - 15" with a 6" stub-out.

Leak-Proof Seal - Proper installation of the ABS stub-out into the rubber gasket ensures a water-tight, leak-proof, and root-proof seal that is resistant to both infiltration and exfiltration.

Versatile - Designed to make lateral service connections, eliminating the need for a T-fitting.

2-Piece Service Connection - Can be connected into any thick wall (min. 1¼") sewer main.

Withstands Tension and Compression - Synthetic rubbers permit a substantial degree of distortion without change in basic physical resistance, unlike other manufacturers' thermoplastic coupling materials. Molded synthetic rubber gasket is strong, durable and resilient to ultraviolet rays, ozone, fungus growth, natural erosive properties of soil and normal sewer gases. More pliable and easier to install in cold weather applications than an elastomeric PVC gasket.

Durable and Dependable - Withstands hydrostatic pressure testing up to 10 psi.
Time and Labor Saving - Minimal excavation required. Eliminates the extra time and labor of exposing the entire sewer main.

Minimal Tool Use - Diamond Tip Core Bit, Core Drill, and a Spanner Wrench.

Accessories - 7¼" Diamond Tip Core Bit and Spanner Wrench.