



## Mission Rubber Company LLC

1660 Leeson Lane  
 Corona, CA 92879  
 (800) 854-9991 • Fax (800) 637-4601  
 missionrubber.com

**MISSION**  
 RUBBER COMPANY

*Flexible rubber  
 end caps designed for  
 capping cast iron, steel  
 or plastic pipe ends*

**MEETS:**  
 ASTM C 425  
 UPC 2101

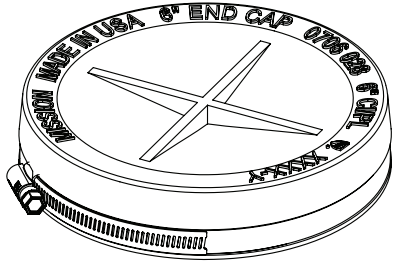


## Band-Seal® End Caps - Submittal

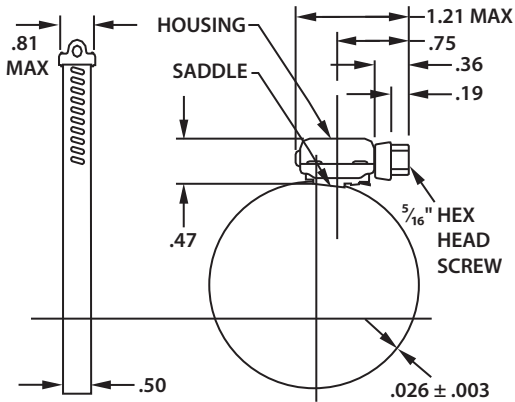
*Performance End Caps for capping cast iron, steel or plastic pipe ends.*

PROJECT \_\_\_\_\_  
 ENGINEER \_\_\_\_\_  
 CONTRACTOR \_\_\_\_\_

**MATERIALS**  
 Worm Drive Clamp Cap 301 series ASTM stainless steel  
 This cap is fabricated from a compound with high-quality elastomeric properties to meet physical testing.

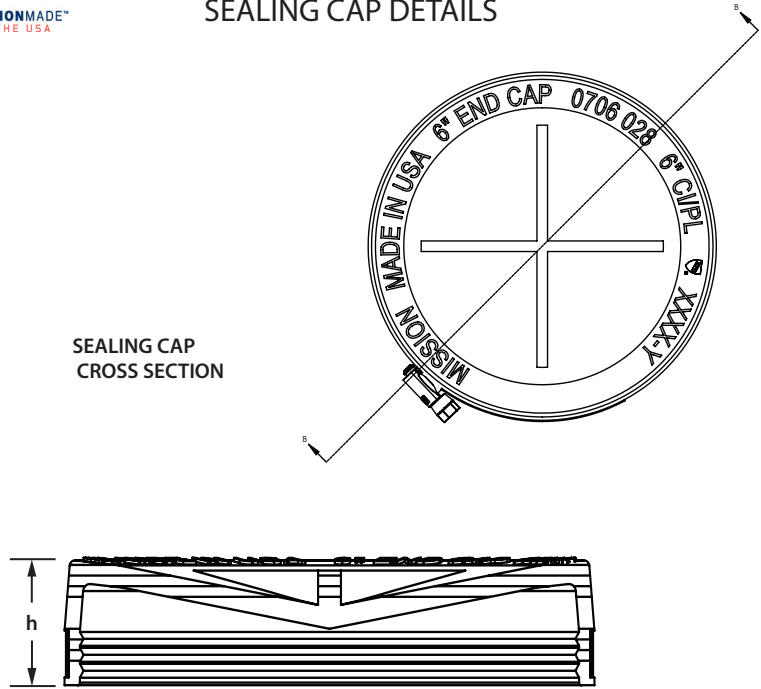


### WORM DRIVE CLAMP DETAILS



### SEALING CAP DETAILS

#### SEALING CAP CROSS SECTION



MISSION REFERENCE	SIZE	SEALING CAP DIMENSIONS						
		min CI	max CI	SDR 35	SCH 40	D1	D2	h
0701011	1½"	1.84	1.96		1.90	1.88	2.38	1.44
0702019	2"	2.36	2.44		2.38	2.34	2.96	1.44
0703017	3"	3.26	3.44		3.50	3.41	3.77	1.44
0704015	4"	4.29	4.43	4.22	4.50	4.36	5.00	1.44
0705020	5"	5.21	5.35		5.56	5.15	5.78	1.42
0706028	6"	6.21	6.35	6.28	6.63	6.40	6.90	1.47
0708016	8"	8.29	8.47	8.40	8.63	8.33	8.90	1.40
0710017	10"	10.47	10.65	10.50	10.75	10.41	11.00	2.00
0712018	12"	12.37	12.63	12.50	12.75	12.68	13.27	2.00

TEST	GASKET PHYSICAL TESTS (ASTM C 425)	ASTM C 425
Tensile Strength	1000 PSI minimum	D412
Elongation	250% minimum	D412
Durometer (Shore A)	55 minimum 70 maximum	D2240
Accelerated Aging	85% of original tensile strength 85% of original elongation All determined after oven aging at 70°C for 7 days	D573
Compression Set	20% maximum of original deflection	D395
Ozone Cracking	No visible cracking at 2X magnification of the gasket after 24 hours exposure in 0.5 PPHM ozone concentrations at 40°C. Testing and inspection to be on gasket which is loop-mounted to give approximately 20% elongation of outer surface.	D1149
Water Absorption	5% maximum by weight after 7 days at 70°F	D471

**Mission's Band-Seal® End Cap** is a flexible rubber end cap designed for capping cast iron, steel or plastic pipe ends. End Cap consists of one (1) 301 series stainless steel worm drive clamp, over a molded one-piece elastomeric sealing cap. Available in sizes 1½" to 12".

**Leak-Proof Seal** - Strong molded "X" braces end cap against head pressure encountered in testing. Stainless steel clamp provides a positive seal when properly tightened to 60 in/lbs. of torque. Axially tapered design distributes and dissipates internal stresses. Sealing "O" Rings are installed under the sealing clamp to prevent pipe slippage and create a more positive seal, ensuring a water-tight, leak-proof and root-proof seal.

**Corrosion Resistant** - 300 series stainless steel components provide highly effective corrosion resistance in a variety of environments.

**Tight-Fitting Internal Cone** - Creates wedge against pipe inside, balancing outward strains against the restricting exterior steel clamp.

**Withstands Tension and Compression** - Synthetic rubbers permit a substantial degree of distortion without change in basic physical resistance, unlike other manufacturers' thermoplastic materials. Molded synthetic rubber cap is strong, durable and resilient to ultraviolet rays, ozone, fungus growth, natural erosive properties and normal sewer gases. More pliable and easier to install in cold weather applications than an elastomeric PVC cap.

**Needs No Plastic Liner** - So strong it doesn't need the usual reinforcing plastic disk or liner. Perfect protection against entry of dirt into pipe, plus resists water and ozone.

**Tough and Reusable** - 301 series stainless steel clamp may be tightened or loosened in seconds with a screwdriver or wrench. So easy to put on and take-off that it makes an ideal permanent clean-out.

**Pre-Set Calibration** - All Band-Seal® End Caps are designed to be installed with a pre-set torque wrench calibrated to 60 in/lbs. maximum to accommodate the 300 series stainless steel 5/16" hex head screw.