



Mission Rubber Company LLC

1660 Leeson Lane
 Corona, CA 92879
 (800) 854-9991 • Fax (800) 637-4601
 missionrubber.com

MISSION
 RUBBER COMPANY

**Join HDPE corrugated,
 HDPE profile or concrete
 sewer main with lateral
 service connection
 to thinwall plastic pipe**

MEETS:
 ASTM C425
 ASTM C1173
 ASTM C923M



PollyTee® Service Connector - Submittal 4" & 6" Connector

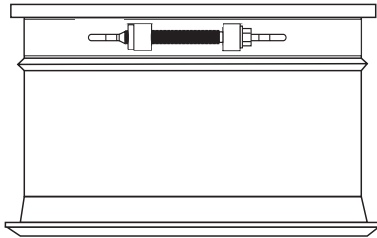
*Performance Connector Designed to Join HDPE corrugated,
 HDPE profile or concrete sewer main with lateral connection to
 thinwall plastic*

PROJECT _____

ENGINEER _____

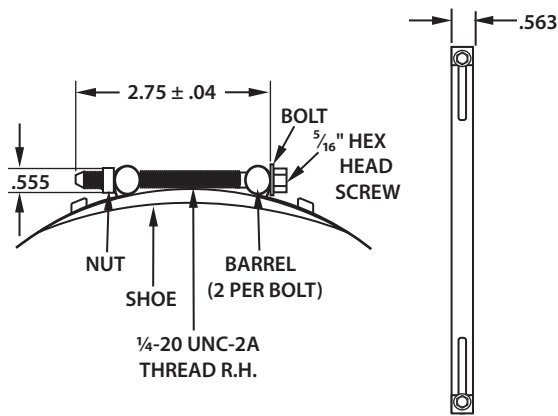
CONTRACTOR _____

MATERIALS
 Nut & Bolt Clamp 316 series ASTM stainless steel.
 Gasket This gasket is fabricated from high-quality EPDM rubber.

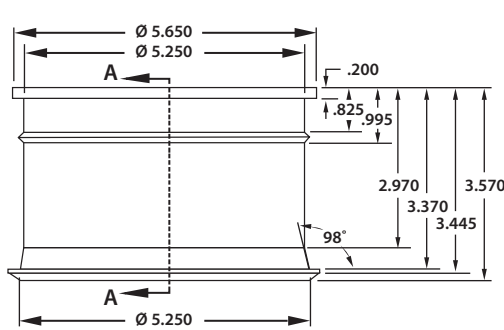


4" & 6" CONNECTORS

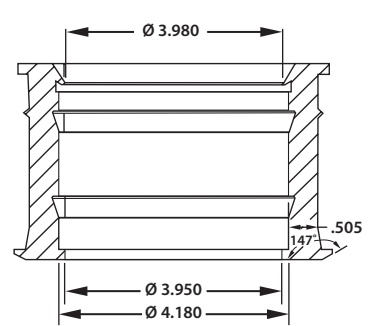
NUT & BOLT CLAMP DETAILS



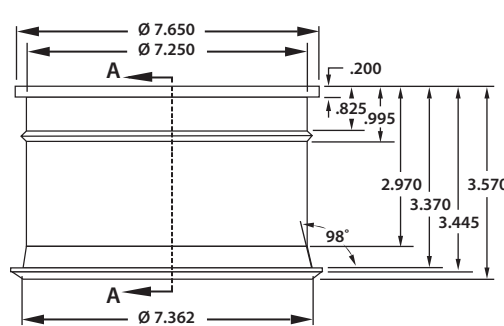
4" GASKET DETAILS



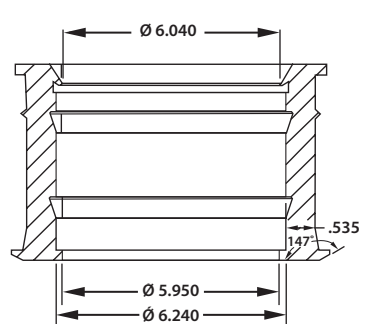
SECTION A-A



6" GASKET DETAILS



SECTION A-A



MISSION REFERENCE	SIZE	LATERAL PIPE	SEWER MAIN O.D.
4" PollyTee®	4"	4" Thinwall Plastic	8" or larger
6" PollyTee®	6"	6" Thinwall Plastic	10" or larger

TEST	GASKET PHYSICAL TESTS			
	Property	Unit	Test Method	Clause
Durometer	IRHD	ISO 48	4.2.3	60 ± 5
Tensile strength, min.	MPa	ISO 37	4.2.4	1305 psi
Elongation at break, min.	%	ISO 37	4.2.4	300
Compression set, max. 24 h @ 70° C	%	ISO 815	4.2.5.2	20
Aging, 7 days @ 70° C Hardness change, max.	IRHD	ISO 48	4.2.6	+8/-5
Stress relaxation, max. 7 days @ 23° C	%	ISO 3384	4.2.7	15
Volume change in water 7 days @ 70° C, max.	%	ISO 1817	4.2.8	+8/-1
Ozone resistance	-	ISO 1431-1	4.2.9	No cracking when viewed without magnification

Mission's PollyTee® Service Connectors are designed to make lateral service connections; joining HDPE corrugated, HDPE profile or concrete sewer main pipe to thinwall plastic lateral pipe. Connector consists of one (1) surgical grade 316 stainless steel Nut & Bolt clamp over an EPDM rubber gasket. Connectors are available in sizes 4" and 6".

Leak-Proof Seal - Increased band tension of surgical grade 316 stainless steel Nut & Bolt clamp ensures a water-tight, leak-proof and root-proof seal that is resistant to both infiltration and exfiltration. Axially slotted clamp enables band to tighten independently to accommodate variances in the outside diameter of the pipe to be joined. Sealing "O" Rings are installed under the sealing clamp to prevent pipe slippage and create a more positive seal.

Corrosion Resistant - Surgical grade 316 stainless steel Nut & Bolt clamp provides outstanding protection in severe environments; such as marine applications, poorly aerated or moist soils, contaminated grounds conditions (particularly industrial fill sites) and where the ground water contains chloride, sulfates or bicarbonates.

Internal "Pipe Stop" - Prevents lateral pipe intrusion into the sewer main.

Durable and Dependable - Withstands hydrostatic pressure testing up to 4.3 psi.

Withstands Tension and Compression - EPDM rubbers permit a substantial degree of distortion without change in basic physical resistance, unlike other manufacturers' thermoplastic coupling materials. Molded EPDM rubber gasket is strong, durable and resilient to ultraviolet rays, ozone, fungus growth, natural erosive properties of soil and normal sewer gases. More pliable and easier to install in cold weather applications than an elastomeric PVC gasket.

Time and Labor Saving - Minimal excavation required. Eliminates the extra time and labor of exposing the entire sewer main. Easy to install and reuse.

Minimal Tool Use - Uses a standard 5" or 7" Core Bit.

Pre-Set Calibration - Designed to be installed with a pre-set torque wrench calibrated to 60 in./lbs. maximum to accommodate the 304 series stainless steel 5/16" hex head screw.