



Mission Rubber Company LLC

1660 Leeson Lane
 Corona, CA 92879
 (800) 854-9991 • Fax (800) 637-4601
 missionrubber.com

**When there is a need
 to withstand shear
 forces, deflection &
 improved alignment**

MEETS:
 ASTM C 425
 ASTM C 1173
 ASTM A240/A240M
 CSA B602
 UPC 4224

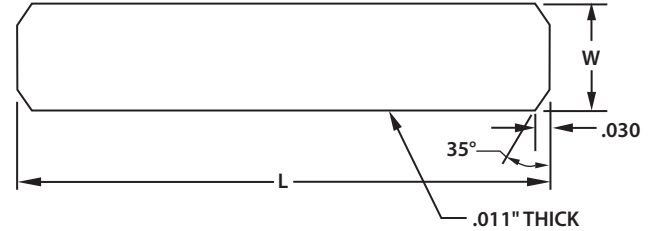
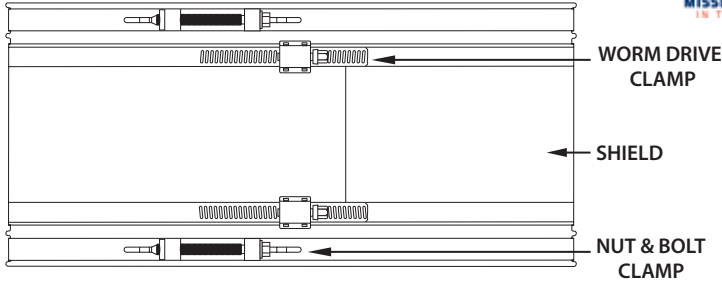


Flex-Seal® ARC Coupling - Submittal MR04 ARC Series

*Performance Couplings for Similar and Dissimilar Pipe Sizes
 and Materials*

PROJECT _____
 ENGINEER _____
 CONTRACTOR _____

MATERIALS
 Worm Drive Clamp 300 series ASTM stainless steel
 Nut & Bolt Clamp 316 series ASTM stainless steel
 Shield 301 series ASTM stainless steel 0.012" thick
 Gasket This gasket is fabricated from a compound with high-quality elastomeric properties to meet physical testing.

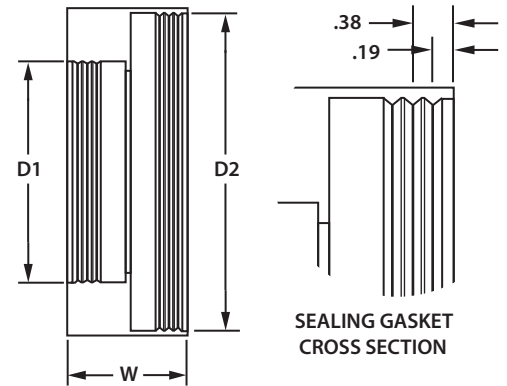
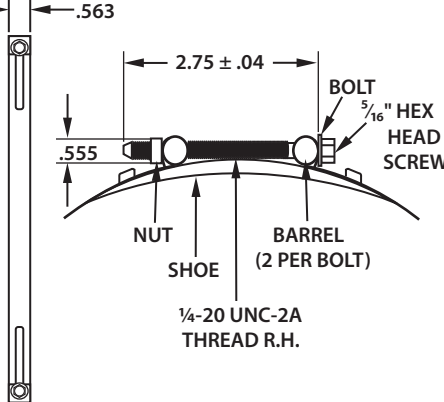
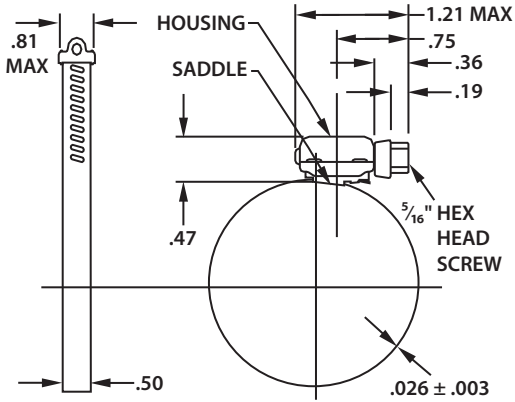


SHIELD DETAILS

WORM DRIVE CLAMP DETAILS

NUT & BOLT CLAMP DETAILS

SEALING GASKET DETAILS



MISSION REFERENCE MR04 SERIES	SHIELD DIMENSIONS		SEALING GASKET DIMENSIONS		
	L	W	D1	D2	W
MR04 44 ARC	21.50	2.12	6.00	6.00	4.00
MR04 66 ARC	29.25	3.81	8.12	8.12	6.00
MR04 88 ARC	36.50	3.81	10.50	10.50	6.00
MR04 1008 ARC	45.13	3.38	10.50	12.80	6.00
MR04 1010 ARC	45.13	3.38	12.80	12.80	6.00
MR04 1210 ARC	52.38	3.38	12.80	15.10	6.00
MR04 1212 ARC	52.38	3.38	15.10	15.10	6.00
MR04 1515 ARC	67.50	5.75	19.90	19.90	10.00
MR04 1818 ARC	76.00	5.75	22.60	22.60	10.00
MR04 2121 ARC	88.50	5.75	26.60	26.60	10.00
MR04 2424 ARC	101.13	5.75	30.60	30.60	10.00
MR04 2727 ARC	112.13	5.75	34.10	34.10	10.00

TEST	GASKET PHYSICAL TESTS (ASTM C 425)	ASTM C 425
Tensile Strength	1000 PSI minimum	D412
Elongation	250% minimum	D412
Durometer (Shore A)	55 minimum 70 maximum	D2240
Accelerated Aging	85% of original tensile strength 85% of original elongation All determined after oven aging at 70°C for 7 days	D573
Compression Set	20% maximum of original deflection	D395
Ozone Cracking	No visible cracking at 2X magnification of the gasket after 24 hours exposure in 0.5 PPHM ozone concentrations at 40°C. Testing and inspection to be on gasket which is loop-mounted to give approximately 20% elongation of outer surface.	D1149
Water Absorption	5% maximum by weight after 7 days at 70°F	D471

Used to Join - MR04 ARC Series couplings are used to join concrete to concrete. **Mission's Flex-Seal® ARC Adjustable Repair Coupling** is a shielded sewer repair coupling designed to provide superior performance and excellent resistance to heavy earth loads, shear forces, deflection and improved alignment. Coupling consists of two (2) 300 series stainless steel worm drive clamps, two (2) or four (4) surgical grade 316 stainless steel Nut & Bolt clamps and a heavy duty 301 series stainless steel shield, over a molded one-piece elastomeric sealing gasket. MR04 ARC Series couplings are available in sizes 4" to 27".

Leak-Proof Seal - Increased band tension of surgical grade 316 stainless steel Nut & Bolt clamps ensure a water-tight, leak-proof and root-proof seal that is resistant to both infiltration and exfiltration. Axially slotted clamps enable bands to tighten independently to accommodate variances in the outside diameters of the pipe to be joined. Sealing "O" Rings are installed under each sealing clamp to prevent pipe slippage and create a more positive seal.

Corrosion Resistant - Surgical grade 316 stainless steel Nut & Bolt clamps and 300 series stainless steel components provide outstanding protection in severe environments; such as marine applications, poorly aerated or moist soils, contaminated ground conditions (particularly industrial fill sites) and where the ground water contains chloride, sulfates or bicarbonates.

Superior Rigidity - .012" thick 301 series stainless steel shield provides for superior load bearing control between the coupling and pipe surface. The coupling's rugged construction provides excellent sealing properties, and the stainless steel shield provides excellent resistance to shear forces and helps with alignment, while maintaining flexibility.

Withstands Tension and Compression - Synthetic rubbers permit a substantial degree of distortion without change in basic physical resistance, unlike other manufacturers' thermoplastic coupling materials. Molded synthetic rubber gasket is strong, durable and resilient to ultraviolet rays, ozone, fungus growth, natural erosive properties of soil and normal sewer gases. More pliable and easier to install in cold weather applications than an elastomeric PVC gasket.

Pre-Set Calibration - All ARC couplings are designed to be installed with a pre-set torque wrench calibrated to 60 in/lbs. maximum to accommodate the 300 series stainless steel 5/16" hex head screw.