

## Product Information

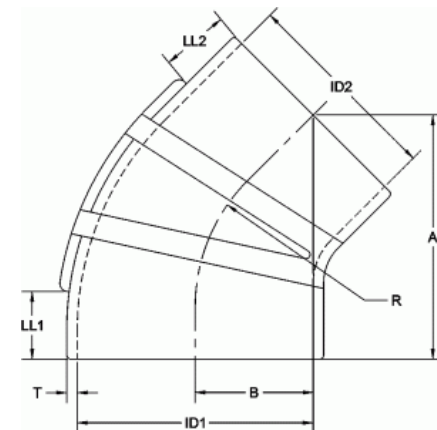
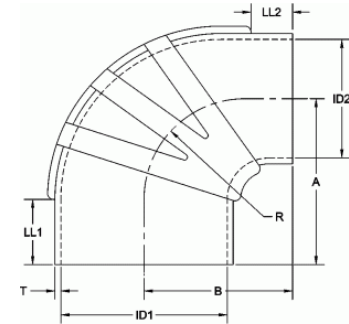
### Reducing Elbows - 45° and 90°

45° and 90° EPDM air intake elbow that complies with the increased expectations of modern diesel and gas powered engines. Available for OEM and aftermarket applications.

- Specifically formulated EPDM compound.
- Available in nitrile, chloroprene and silicone compounds.
- IDs of 5" or larger molded with integrated ribs
- Can be custom formulated to meet specified end use application.
- Custom-cut lengths available.
- Vacuum collapse rating exceeds 54.4 inH<sub>2</sub>O.
- Recommended service temperatures: -40°F to +250°F.
- Complies with physical and mechanical property requirements per ASTM D2000 3BA715A14B13C12F17.
  - Hardness Durometer, ASTM D2240, Type A, 70±5 Shore A Hardness Points.
  - Tensile Strength, ASTM D412, Die C, 1500 psi., minimum.
  - Ultimate Elongation, ASTM D412, Die C, 250%, minimum.
  - Air Age Testing, ASTM D573, 70 hrs. at 100°C (212°F).
  - Hardness Durometer Change, +10, maximum.
  - Tensile Strength Change, -25%, maximum.
  - Ultimate Elongation Change, -25%, maximum.
  - Compression Set Testing, ASTM D395, Method B, 22 hrs. at 70°C (158°F), 25% maximum.
  - Ozone Resistance Testing, ASTM D1171, Method A, Exposure Rating, 72 hrs. at 40°C (104°F), 50 pphm, No Cracks Low Temperature Resistance Testing, ASTM D2137, Method C. Non Brittle after 3 Minutes at -40°C (104°F)."

#### Legend

L: Elbow, R: Reducer, LR: Long Radius, SR: Short Radius, WF: With Fitting



Mission Rubber Company | 1660 Leeson Lane | Corona, CA 92879 USA  
toll free 800.854.9991 fax 800.637.4601

[missionrubber.com](http://missionrubber.com)

10/24/2020



MR Part	Part	ID1	ID2	A	B	LL1	LL2	R	T
45L60R40	2906208	6.00	4.00	9.30		1.50	1.50	5.00	0.28
45L60R50	2906210	6.00	5.00	6.44	2.61	2.06	1.56	4.88	0.25
45L60R55	2906212	6.00	5.50	6.44	2.61	2.02	1.57	4.88	0.25
45L70R60	2907210	7.00	6.00	7.25	3.50	2.00	2.00	5.31	0.31
90L30R236	2903063	3.00	2.36	3.00	3.00	0.68	1.00	2.00	0.25
90L30R25	2903060	3.00	2.50	3.00	3.00	1.00	1.00	2.00	0.25
90L30LR25	2903052	3.00	2.50	5.00	3.00	1.00	2.75	2.00	0.25
90L35R30	2903030	3.50	3.00	3.25	3.50	1.00	1.00	2.25	0.25
90L35R30WF	2903031	3.50	3.00	3.25	3.50	1.00	1.00	2.25	0.25
90L40R275	2904050	4.00	2.75	6.50	1.81	1.53	1.06	1.38	0.25
90L40R30	2904001	4.00	3.00	4.50	3.62	1.00	0.62	3.00	0.25
90L40R35	2904002	4.00	3.50	4.50	3.62	1.25	0.62	4.50	0.19
90L50R40	2905032	5.00	4.00	5.75	6.00	1.75	1.75	3.75	0.25
90L50R40SR	2905040	5.00	4.00	8.25	3.63	1.75	1.50	3.75	0.31
90L55R35	2905066	5.50	3.50	6.00	4.88	2.00	1.37	4.35	0.31
90L55R40	2905069	5.50	4.00	8.00	3.63	2.25	1.25	2.30	0.19
90L55R50	2905065	5.50	5.00	5.20	6.50	1.18	2.50	4.00	0.25
90L60R50	2906022	6.00	5.00	7.00	6.00	1.75	1.75	4.25	0.25
90L60R50SR	2906024	6.00	5.00	4.75	4.75	1.25	1.75	3.50	0.25
90L60R55	2906030	6.00	5.50	6.70	6.70	1.50	1.75	5.00	0.25
90L60R55SR	2906050	6.00	5.50	5.00	5.00	1.38	1.63	3.50	0.25
90L70R50	2907020	7.00	5.00	7.00	6.25	2.74	1.75	4.25	0.25



Mission Rubber Company | 1660 Leeson Lane | Corona, CA 92879 USA  
toll free 800.854.9991 fax 800.637.4601

[missionrubber.com](http://missionrubber.com)

10/24/2020



MR Part	Part	ID1	ID2	A	B	LL1	LL2	R	T
90L70R50WF	2907024	7.00	5.00	7.00	6.25	2.74	1.75	4.25	0.25
90L70R55	2907038	7.00	5.50	5.75	6.25	1.50	1.50	3.68	0.31
90L70R60	2907046	7.00	6.00	7.50	8.85	3.00	4.50	4.38	0.38
90L70R60WF	2907043	7.00	6.00	7.50	9.00	3.00	4.50	4.38	0.38
90L80R70	2908370	8.00	7.00	8.50	8.50	2.00	2.00	6.50	0.42



**Mission Rubber Company** | 1660 Leeson Lane | Corona, CA 92879 USA  
**toll free** 800.854.9991 **fax** 800.637.4601

**missionrubber.com**

10/24/2020

