

## Product Information

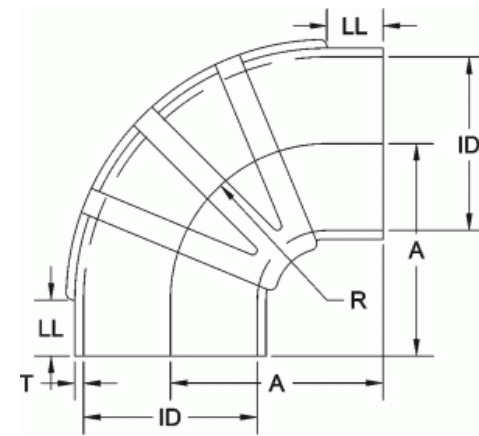
### Elbows - 90°

90° EPDM air intake elbow that complies with the increased expectations of modern diesel and gas powered engines. Available for OEM and aftermarket applications.

- Specifically formulated EPDM compound.
- Available in nitrile, chloroprene and silicone compounds.
- IDs of 5" or larger molded with integrated ribs
- Can be custom formulated to meet specified end use application.
- Custom-cut lengths available.
- Vacuum collapse rating exceeds 54.4 inH<sub>2</sub>O.
- Recommended service temperatures: -40°F to +250°F.
- Complies with physical and mechanical property requirements per ASTM D2000 3BA715A14B13C12F17.
  - Hardness Durometer, ASTM D2240, Type A, 70±5 Shore A Hardness Points.
  - Tensile Strength, ASTM D412, Die C, 1500 psi., minimum.
  - Ultimate Elongation, ASTM D412, Die C, 250%, minimum.
  - Air Age Testing, ASTM D573, 70 hrs. at 100°C (212°F).
  - Hardness Durometer Change, +10, maximum.
  - Tensile Strength Change, -25%, maximum.
  - Ultimate Elongation Change, -25%, maximum.
  - Compression Set Testing, ASTM D395, Method B, 22 hrs. at 70°C (158°F), 25% maximum.
  - Ozone Resistance Testing, ASTM D1171, Method A, Exposure Rating, 72 hrs. at 40°C (104°F), 50 pphm, No Cracks Low Temperature Resistance Testing, ASTM D2137, Method C. Non Brittle after 3 Minutes at -40°C (104°F)."

#### Legend

L: Elbow, WF: With Fitting, SR: Short Radius



Mission Rubber Company | 1660 Leeson Lane | Corona, CA 92879 USA  
toll free 800.854.9991 fax 800.637.4601

[missionrubber.com](http://missionrubber.com)

10/22/2020



MR Part	Part	ID	A	LL	R	T
90L20	2902062	2.00	3.50	1.50	2.00	0.20
90L225	2902088	2.25	3.75	1.50	2.25	0.20
90L25	2902070	2.50	4.00	1.50	2.50	0.25
90L30	2903011	3.00	5.25	1.50	3.75	0.25
90L30WF	2903010	3.00	5.25	1.50	3.75	0.25
90L35	2903029	3.50	5.50	2.00	3.50	0.25
90L40	2904019	4.00	5.75	1.25	4.41	0.25
90L40SR	2904021	4.00	5.75	2.75	3.00	0.25
90L45	2904167	4.50	5.50	2.00	3.50	0.25
90L50	2905024	5.00	6.12	1.62	4.50	0.25
90L55	2905016	5.50	6.50	1.75	4.75	0.25
90L60	2906014	6.00	6.75	1.75	5.00	0.25
90L60SR	2906006	6.00	5.00	1.62	3.50	0.25
90L70	2907012	7.00	7.44	2.00	5.56	0.31
90L80	2908366	8.00	8.50	2.00	6.50	0.37
90L100	2910010	10.00	10.50	2.00	8.50	0.37



Mission Rubber Company | 1660 Leeson Lane | Corona, CA 92879 USA  
toll free 800.854.9991 fax 800.637.4601

[missionrubber.com](http://missionrubber.com)

10/22/2020

