

Product Information

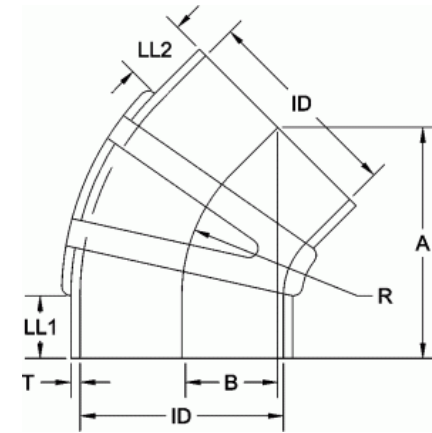
Elbows - 45°

45° EPDM air intake elbow that complies with the increased expectations of modern diesel and gas powered engines. Available for OEM and aftermarket applications.

- Specifically formulated EPDM compound.
- Available in nitrile, chloroprene and silicone compounds.
- IDs of 5" or larger molded with integrated ribs
- Can be custom formulated to meet specified end use application.
- Custom-cut lengths available.
- Vacuum collapse rating exceeds 54.4 inH₂O.
- Recommended service temperatures: -40°F to +250°F.
- Complies with physical and mechanical property requirements per ASTM D2000 3BA715A14B13C12F17.
 - Hardness Durometer, ASTM D2240, Type A, 70±5 Shore A Hardness Points.
 - Tensile Strength, ASTM D412, Die C, 1500 psi., minimum.
 - Ultimate Elongation, ASTM D412, Die C, 250%, minimum.
 - Air Age Testing, ASTM D573, 70 hrs. at 100°C (212°F).
 - Hardness Durometer Change, +10, maximum.
 - Tensile Strength Change, -25%, maximum.
 - Ultimate Elongation Change, -25%, maximum.
 - Compression Set Testing, ASTM D395, Method B, 22 hrs. at 70°C (158°F), 25% maximum.
 - Ozone Resistance Testing, ASTM D1171, Method A, Exposure Rating, 72 hrs. at 40°C (104°F), 50 pphm, No Cracks Low Temperature Resistance Testing, ASTM D2137, Method C. Non Brittle after 3 Minutes at -40°C (104°F).

Legend

L: Elbow



Mission Rubber Company | 1660 Leeson Lane | Corona, CA 92879 USA
toll free 800.854.9991 fax 800.637.4601

missionrubber.com

10/24/2020



MR Part	Part	ID	A	B	LL1	LL2	R	T
45L20	2904120	2.00	4.00	1.65	1.52	1.51	2.00	0.20
45L225	2904119	2.25	4.12	1.72	1.50	1.47	2.25	0.20
45L25	2904121	2.50	4.31	1.79	1.50	1.48	2.50	0.20
45L30	2903201	3.00	5.50	2.28	1.60	1.60	3.75	0.25
45L35	2904183	3.50	5.00	1.88	1.68	1.20	3.50	0.25
45L40	2904209	4.00	5.50	2.34	1.46	1.46	4.25	0.25
45L45	2904175	4.50	5.03	2.08	1.50	1.50	3.50	0.25
45L50	2905206	5.00	5.50	2.28	1.36	1.36	4.50	0.25
45L55	2905214	5.50	6.25	2.60	1.70	1.70	4.75	0.25
45L60	2906204	6.00	6.50	2.69	1.74	1.74	5.00	0.25
45L70	2907202	7.00	8.00	3.31	2.34	2.34	5.56	0.31
45L80	2908382	8.00	8.06	3.34	2.03	2.03	6.50	0.37
45L100	2910011	10.00	10.50	4.35	2.63	2.63	8.50	0.37



Mission Rubber Company | 1660 Leeson Lane | Corona, CA 92879 USA
toll free 800.854.9991 fax 800.637.4601

missionrubber.com

10/24/2020

